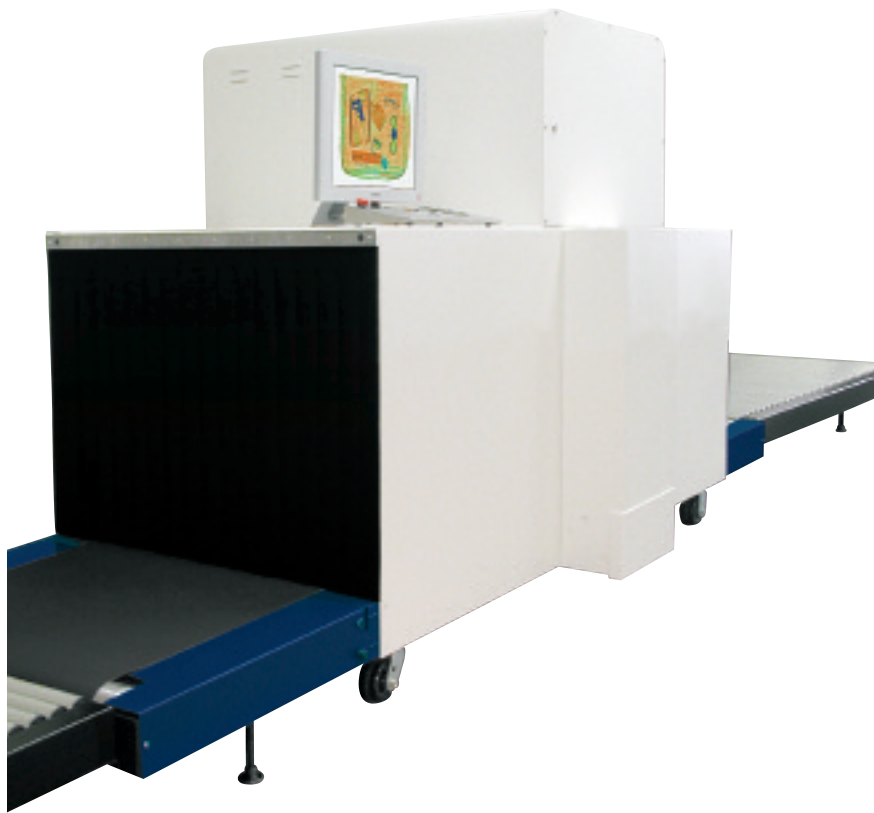


AUTOCLEAR 10080T

1.0m x 0.8m Checked Bag X-ray For Explosives, Weapons & Narcotics



RealClear® reveals components of a gun, knife and bomb in real time, without lags and delays.



Available operator table and dual or LCD monitors (one 17" CRT is the normal configuration).

Control Screening is the leading worldwide producer of fast, reliable and sophisticated X-ray, Metal and Trace Detection screening systems. Visit us at www.controlscreening.com. Ask about our mobile and cargo systems. Our advanced systems and options are often integrated, leased or rented.

The AUTOCLEAR® 10080T (featuring a 1.0 m wide x 0.8 m high or 39.4" wide x 31.4" high tunnel opening), is a heavy-duty, conveyORIZED, X-ray scanner designed for screening cargo and large checked luggage, detecting concealed weapons, explosives, narcotics, currency, contraband or manifest fraud at:

- Airports • Seaports • Courts
- Customs • Corporate Facilities
- Government Buildings
- Checkpoints • Loading Docks
- Mailrooms
- Corrections Facilities
- Nuclear • Access Control
- Special Events • Hospitals
- Rail or Bus Stations
- Police Stations • Military Bases

Features

- ➔ Low to the floor, heavy-duty, high capacity conveyor with easy changeouts. Rugged construction uses less floor space and head room.
- ➔ Narrower footprint enhances security. Conveyor end folds up for transport.
- ➔ RealClear® function reveals components of dense items in realtime without lags or delays.
- ➔ Features Pentium 4, 17" monitor, Multi-Energy Color with Organic/Inorganic Stripping, RealClear®, auto-DensAlert®, auto-Outline®, autoSensing®, autoCal®, Lighten, Help, DensityScan, and Low Density Stripping, among other features.
- ➔ TIP, Training and Image Archiving also available. autoMatalert®, option highlights suspect materials using atomic number and density.
- ➔ autoTracking® guided conveyor belt system never needs adjustment, lowering operating costs.
- ➔ autoSensing® eliminates the need for troublesome photosensors or footpad switch. Assures 100% screening of thin blades or plastic in courier envelopes or magazines, or of bag already in tunnel at start-up.
- ➔ Interactive training and highly responsive local service. Engineered, made and rigorously tested in the USA to ISO 9001 and regulatory standards.

70 years of leadership in checkpoint detection & training

AUTOCLEAR

autoclearus.com

Scintrex® • CheckGate® • Dynavision® • Control Screening® • Federal Labs®
U.S. Canada France UK UAE Japan Latin America Singapore Spain

Model 10080T X-ray Specifications

Overall Dimensions: Inspection Capabilities

	317.0 cm (124.8") L x 129.3 cm (50.9") W x 172.9 cm (68.1") H
Tunnel Size:	39.4" wide (100 cm) 31.4" high (80 cm)
Material Penetration:	28-29 mm steel
Contrast Sensitivity:	Over 2 million color tones.
Resolution:	40 AWG wire
Conveyor:	Height: 27 cm or 10.6" off floor. Speed: 48.0 feet per minute; 24 cm per second. Reversible. Toggles for easy belt changeover. Load conveyor extension end folds up for elevator, and ease of transport.

Pulling Weight:	150 kg (331 lbs) standard; 403.2 kg (887 lbs) option
autoTracking®:	Belt guaranteed to autoTrack for life.
Film Safety:	Guaranteed for high-speed films up to ISO 1600 (33 DIN).

***Full autoSensing® without photosensors, moving parts, or footpad.**

Reduces downtime and assures all magazines, envelopes or items are scanned, no matter how thin, or of bag already in tunnel at start-up. Enhances radiation safety.

X-ray Generator

X-ray tube head:	Self-contained, shielded tank
High voltage rating:	160 kV, 140 kV Operating Voltage
Duty cycle:	100% with sealed oil bath cooling
Beam orientation:	Diagonal (80° beam divergence)
Dose rate per exam:	0.1 mR. Lower doses available.

X-ray Detectors

Surface-mounted, multilayer, fully integrated, high frequency, solid state detectors using high-speed processors and advanced Pentium 4 signal processing with Multi-Energy.

Video

Standard with color 17" SVGA monitor. High resolution, flicker-free, .21 dot pitch, low rad. monitor, 1280 x 1024 video card. Multi-Energy color included with available second monitor or flat screen or larger monitor(s). Displays organics in orange and inorganics in blue, both overlapping in green and very dense objects in black.

Standard Features

- Multi-Energy organic and inorganic color & stripping
- RealClear®
- autoDensAlert®
- autoTracking®
- autoSensing®
- autoOutline®
- autoCal®
- Dark & Light enhance
- DensityScan
- Color; Reverse B/W
- High/Low Density & Stripping
- High density
- Help
- Fast (25 second) initial warm-up
- Fully functional, robust, low profile
- Reversible conveyor direction

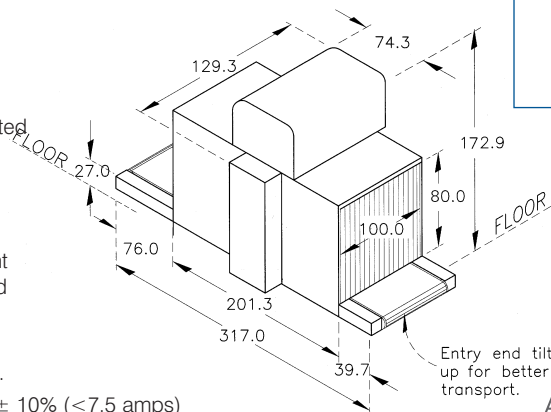
Options

- autoMatalert®
- Threat Image Projection (TIP) printer or
- Roller bed or conveyor extensions
- Tropical Humidity Kit
- Image Archiving
- CE mark
- Extra pulling power
- Locking metal keypad cover
- kV, mA meter or item counter
- LCD, dual or larger monitor(s)
- Footpad or optical on/off
- Variable height keypad mount
- Power conditioner, or UPS
- Table or locking monitor hood
- Remote operation;
- VCR cable
- Built-in training
- Rentals or leases
- autoNet
- TipNet

Physical Details

Dimensions: See Drawing
 Weight: Approx. 1,300 lbs (590 kg) or 1,900 lbs (862 kg) crated
 Construction: Unibody heavy gauge epoxy-painted steel construction with stainless steel trim and accessories. Non-marring casters, leveling jackscrews, and reinforced forklift pockets. Corrosion-resistant command center keypad mounted on side, or available on table.

Environmental Conditions: Temperature range: 32° to 104°F, (0° - 40°C), 95% non-condensing.
 Electrical Power Requirements: Consumption: 100, 110 volts AC ± 10% (<7.5 amps)
 200, 220, 230, 240, 250 volts AC ± 10%, <3.75 amps. All at 50 or 60 Hz.



Dimensions are in centimeters
 Note: Non-marring casters

www.autoclearus.com

World Headquarters Plant

2 Gardner Road
 Fairfield, NJ 07004-2206 USA
 Tel: + 1 (973) 276-6161
 Fax: + 1 (973) 276-6162
leads@autoclearus.com

Central EU

eu@autoclearus.com
 Tel: + 33 2 38 61 97 00
 Fax: + 33 2 38 61 97 01

Southern EU

seu@autoclearus.com
 Tel/Fax: + 34 91 650 89 86

Northern EU

neu@autoclearus.com
 UK Tel: + 44 1924 281766

Canada & Scintrex

info@scintrextrace.com
 300 Parkdale Ave., Ottawa
 Ontario, Canada K1Y 1G2
 Tel: + 1 (613) 224-1061
 Fax: + 1 (613) 224-2603

Asia Southeast & North

sasia@autoclearus.com
nasia@autoclearus.com

Latin America

latina@autoclearus.com
 Dom. Republic

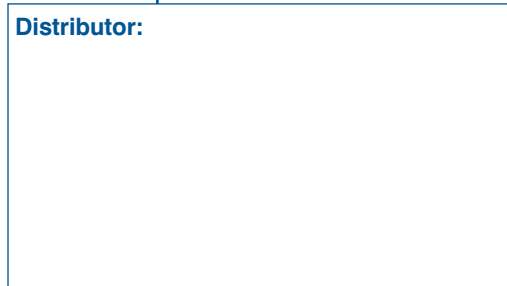
Middle East

me@autoclearus.com
 Dubai, UAE
 Tel: + 971 6 557 4505
 Fax: + 971 6 557 4507

Western U.S.

nw@autoclearus.com
sw@autoclearus.com

Distributor:



ISO 9001-2000 Certified

www.autoclearus.com
www.tracedetection.com www.fed-labs.com

70 years leading innovation in
 checkpoint detection & training



Scintrex® • CheckGate® • Dynavision® • Control Screening® • Federal Labs®
 U.S. Canada France UK UAE Japan Latin America Singapore Spain